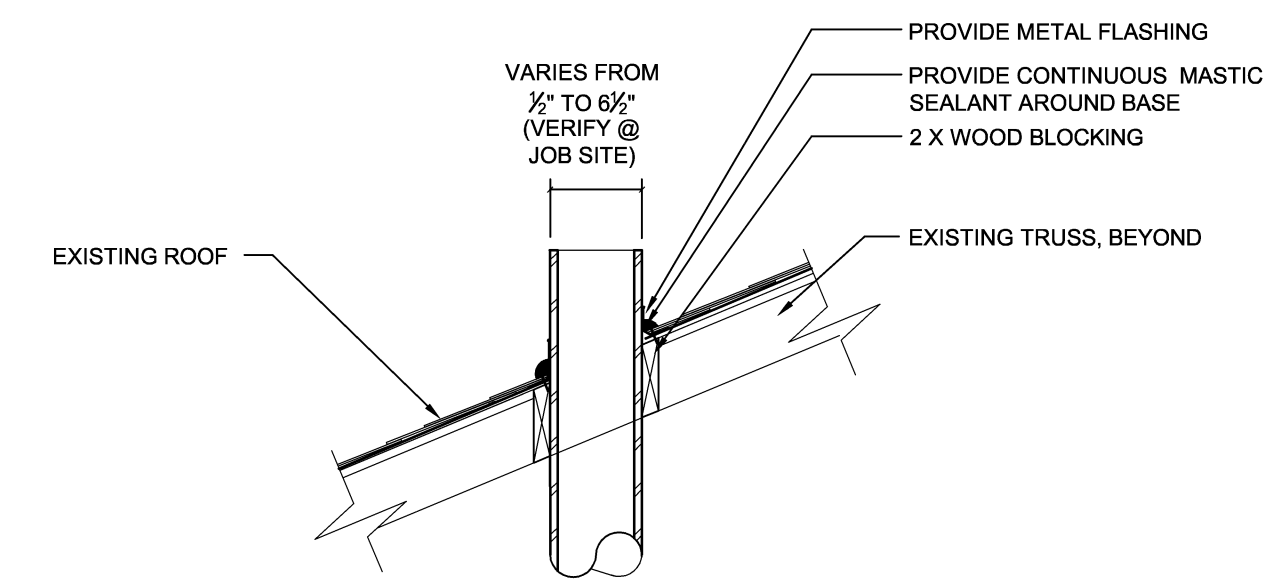


SYM.	PREP'D BY	DATE	APPROVED

GAS FIRED UNIT HEATER SCHEDULE	
DESIGNATION	UH-A
LOCATION	VARIOUS
FUEL	NATURAL GAS
AIRFLOW (CFM)	505
THROW	HORIZONTAL
INPUT (MBH)	30
MINIMUM INLET GAS PRESSURE (IN. WC.)	6
MAXIMUM INLET GAS PRESSURE (IN. WC.)	7
CAPACITY (MBH)	24
ENTERING AIR TEMPERATURE (DEG F)	60
LEAVING AIR TEMPERATURE (DEG F)	103
UNIT VOLTAGE	120
PHASE	1
FREQUENCY (HZ)	60
BASED ON	MODINE
MODEL	HDS 30
REMARKS	60
REMARKS LEGEND:	
1. PROVIDE INTEGRAL DISCONNECT.	

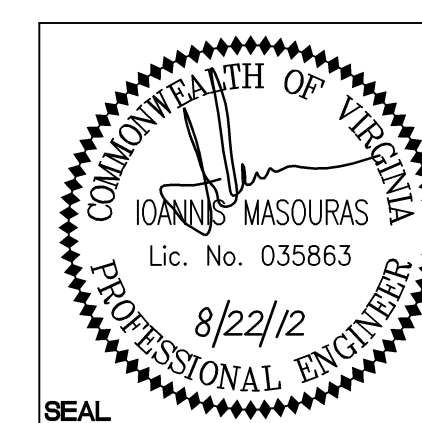
ELECTRIC CONVECTOR SCHEDULE	
DESIGNATION	EC-A
LOCATION	BATHROOMS
CABINET STYLE	CABINET
ELECTRIC COIL	MINIMUM CAPACITY (KW) ENTERING AIR TEMPERATURE (DEG F) UNIT TOTAL CURRENT (A)
ELECTRIC DATA	UNIT VOLTAGE (V) PHASE FREQUENCY (HZ)
BASED ON	CHROMALOX
MODEL	CAF-12F211
REMARKS	1 & 2
REMARKS LEGEND:	
1. PROVIDE BUILT-IN SINGLE PHASE TAMPERPROOF THERMOSTAT	
2. PROVIDE BUILT-IN DISCONNECT	



ROOF PENETRATION DETAIL
NOT TO SCALE

DISCLOSURE OF INFORMATION
Contractor shall comply as follows:

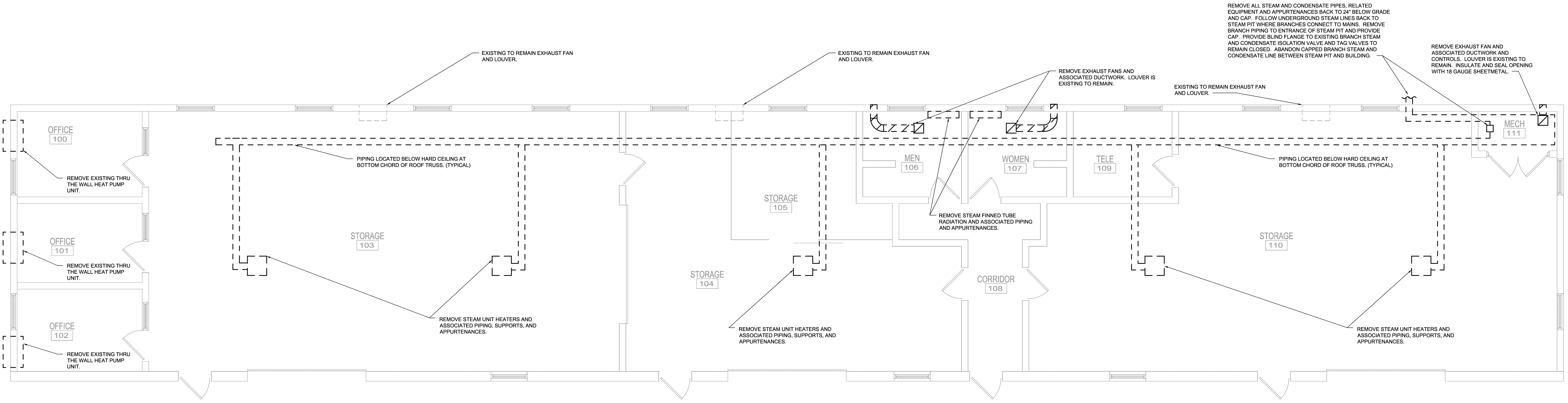
- (a) The Contractor shall not release to anyone outside the Contractor's organization any unclassified information, regardless of medium (e.g., film, tape, document), pertaining to any part of this contract or any program related to this contract, unless-
The Contracting Officer has given prior written approval; or
- (1) The information is otherwise in the public domain before the date of release.
- (2) Requests for approval shall identify the specific information to be released, the medium to be used, and the purpose for the release. The Contractor shall submit its request to the Contracting Officer at least 45 days before the proposed date for release.
- (b) The Contractor shall submit its request to the Contracting Officer at least 45 days before the proposed date for release.
- (c) The Contractor agrees to include a similar requirement in each subcontract under this contract. Subcontractors shall submit requests for authorization to release through the prime contractor to the Contracting Officer.



WileyWilson 6606 West Broad St., Suite 500 Richmond, Virginia 23230-1717 804.254.7242 wileywilson.com		M-114C PROJECT NO. CP12-0091	
DEPT OF NAVY MARINE CORPS BASE CAMP LEJEUNE, NORTH CAROLINA		NAVAL FACILITIES ENGINEERING COMMAND	
DES. IM	DR. SWL	HVAC/DHW IMPROVEMENTS, VARIOUS FACILITIES, HADNOT POINT BUILDING 1107 SCHEDULES, DETAILS & CONTROLS	
CHK. JHE	SUBMITTED BY:	DESIGN DR.	APPROVED PWO OR OICC DATE
SIZE E	CODE IDENT NO. 80091	NAVFAC DRAWING NO. 60011397	CONSTR CONTR NO. N40085-12-B-0091
SATISFACTORY TO	DATE	SCALE: AS SHOWN	SPEC No. 05-12-0091
		SHEET 53 OF 84	

SYM.	PREP'D BY	DATE	APPROVED

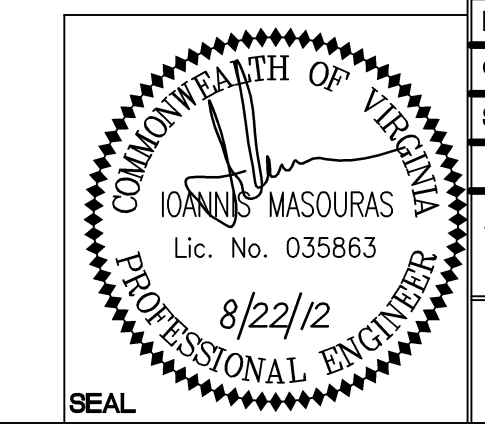
- DEMOLITION NOTES:
- DUCT LOCATIONS APPROXIMATE, CONTRACTOR TO VERIFY AS NECESSARY.
 - SEAL ALL BUILDING PENETRATIONS CREATED DURING DEMOLITION AND NOT RE-USED.
 - REMOVE ALL EQUIPMENT, DUCTWORK, DIFFUSERS, GRILLES, HANGERS AND INSULATION AS SHOWN.



BUILDING 1309 MECHANICAL DEMOLITION PLAN
 1/4"=1'-0" 0" 2" 4" 8"

DISCLOSURE OF INFORMATION
 Contractor shall comply as follows:

- The Contractor shall not release to anyone outside the Contractor's organization any unclassified information, regardless of medium (e.g., film, tape, document), pertaining to any part of this contract or any program related to this contract, unless the Contracting Officer has given prior written approval; or
- The information is otherwise in the public domain before the date of release.
- Requests for approval shall identify the specific information to be released, the medium to be used, and the purpose for the release. The Contractor shall submit its request to the Contracting Officer at least 45 days before the proposed date for release.
- The Contractor agrees to include a similar requirement in each subcontract under this contract. Subcontractors shall submit requests for authorization to release through the prime contractor to the Contracting Officer.



WileyWilson 6606 West Broad St., Suite 500 Richmond, Virginia 23290-1717 804.264.7242 wileywilson.com		M-115A PROJECT NO. CP12-0091	
DEPT OF NAVY MARINE CORPS BASE CAMP LEJEUNE, NORTH CAROLINA		NAVAL FACILITIES ENGINEERING COMMAND	
DES. IM	DR. SWL	HVAC/DHW IMPROVEMENTS, VARIOUS FACILITIES, HADNOT POINT	
CHK. JHE	BUILDING 1309 MECHANICAL DEMOLITION PLAN		
SUBMITTED BY:	DESIGN DR.	APPROVED PWO OR OIC	DATE
SIZE E	CODE IDENT NO. 80091	NAVFAC DRAWING NO. 60011398	CONSTR CONTR NO. N40085-12-B-0091
SATISFACTORY TO	DATE	SCALE: AS SHOWN	SPEC No. 05-12-0091
		SHEET 54 OF 84	

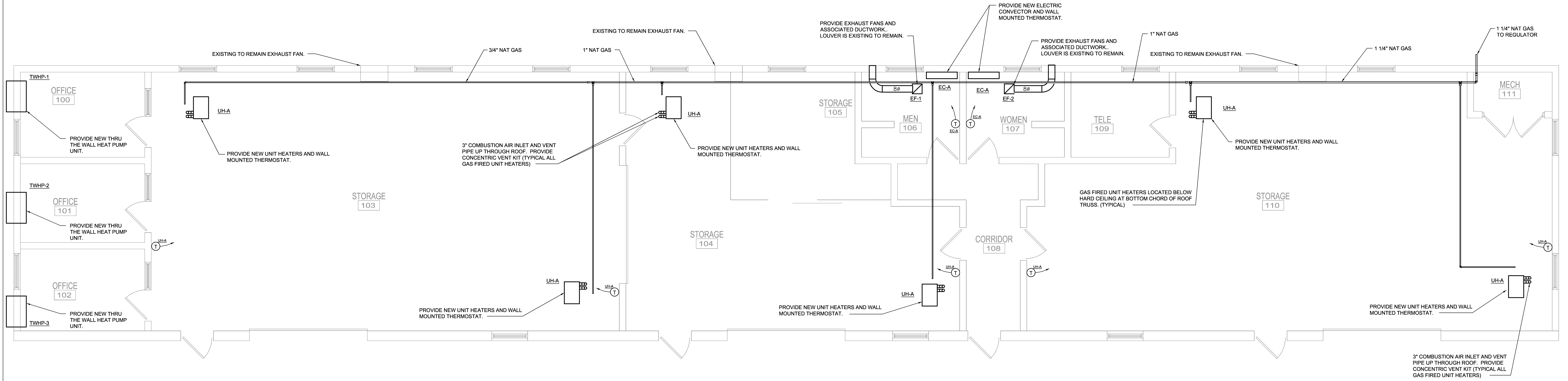
SYM.	PREP'D BY	DATE	APPROVED

GENERAL NOTES:

1. THE LOCATION OF ALL DUCT, PIPING AND EQUIPMENT SHALL BE ADJUSTED TO ACCOMMODATE ANTICIPATED OR ENCOUNTERED INTERFERENCES. THESE PLANS ARE PARTIALLY DIAGRAMMATIC AND MAY NOT SHOW MINOR DETAILS AND LOCATIONS.
2. MAINTAIN MANUFACTURER RECOMMENDED CLEARANCE AROUND ALL EQUIPMENT.
3. INSTALL GAS PIPE IN ACCORDANCE WITH 2012 NORTH CAROLINA FUEL GAS CODE.
4. INSULATE ENTIRE ATTIC SPACE WITH UNFACED R-30 BATT INSULATION.

NATURAL GAS NOTE:

1. TOTAL CONNECTED NATURAL GAS DEMAND FOR THIS BUILDING IS 180 MBH AT 10 IN-H2O.

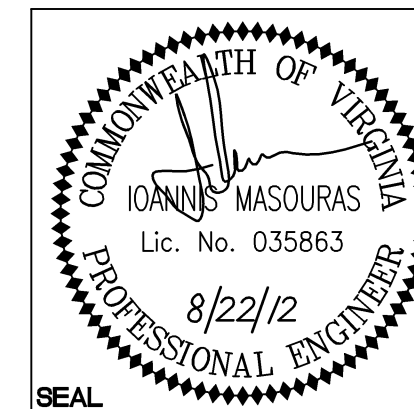


BUILDING 1309 MECHANICAL NEW WORK PLAN
 1/4"=1'-0" 0" 2" 4" 8"

DISCLOSURE OF INFORMATION

Contractor shall comply as follows:

- (a) The Contractor shall not release to anyone outside the Contractor's organization any unclassified information, regardless of medium (e.g., film, tape, document), pertaining to any part of this contract or any program related to this contract, unless:
 - (1) The Contracting Officer has given prior written approval; or
 - (2) The information is otherwise in the public domain before the date of release.
- (b) Requests for approval shall identify the specific information to be released, the medium to be used, and the purpose for the release. The Contractor shall submit its request to the Contracting Officer at least 45 days before the proposed date for release.
- (c) The Contractor agrees to include a similar requirement in each subcontract under this contract. Subcontractors shall submit requests for authorization to release through the prime contractor to the Contracting Officer.



WileyWilson 6606 West Broad St., Suite 500 Richmond, Virginia 23230-1717 804.264.7242 wileywilson.com		M-115B PROJECT NO. CP12-0091	
DEPT OF NAVY MARINE CORPS BASE CAMP LEJEUNE, NORTH CAROLINA		NAVAL FACILITIES ENGINEERING COMMAND	
DES.	IM	HVAC/DHW IMPROVEMENTS, VARIOUS FACILITIES, HADNOT POINT BUILDING 1309 MECHANICAL NEW WORK PLAN	
DR.	SWL	SIZE	CODE IDENT NO.
CHK.	JHE	E	80091
SUBMITTED BY:		APPROVED PWO OR OIC	DATE
DESIGN DR.		CONSTR CONTR NO.	N40085-12-B-0091
SATISFACTORY TO	DATE	SPEC No.	05-12-0091
SCALE: AS SHOWN		SHEET 55 OF 84	

SYM.	PREP'D BY	DATE	APPROVED

GAS FIRED UNIT HEATER SCHEDULE

DESIGNATION	UH-A
LOCATION	VARIOUS
FUEL	NATURAL GAS
AIRFLOW (CFM)	505
THROW	HORIZONTAL
INPUT (MBH)	30
MINIMUM INLET GAS PRESSURE (IN. WC.)	6
MAXIMUM INLET GAS PRESSURE (IN. WC.)	7
CAPACITY (MBH)	24
ENTERING AIR TEMPERATURE (DEG F)	60
LEAVING AIR TEMPERATURE (DEG F)	103
UNIT VOLTAGE	120
PHASE	1
FREQUENCY (HZ)	60
BASED ON	MODINE
MODEL	HDS 30
REMARKS	60
REMARKS LEGEND:	
1. PROVIDE INTEGRAL DISCONNECT.	

ELECTRIC CONVECTOR SCHEDULE

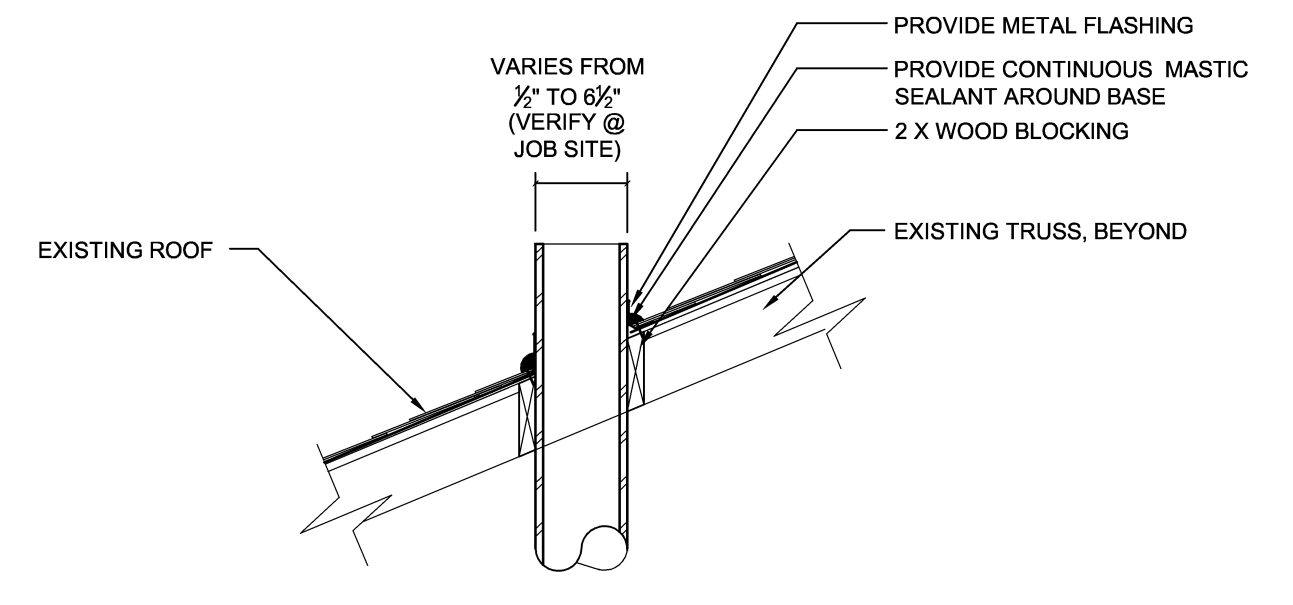
DESIGNATION	EC-A	
LOCATION	BATHROOMS	
CABINET STYLE	CABINET	
ELECTRIC COIL	MINIMUM CAPACITY (KW)	1.1
	ENTERING AIR TEMPERATURE (DEG F)	68
	UNIT TOTAL CURRENT (A)	3.6
ELECTRIC DATA	UNIT VOLTAGE (V)	208
	PHASE	1
	FREQUENCY (HZ)	60
BASED ON	CHROMALOX	
MODEL	CAF-12F211	
REMARKS	1 & 2	
REMARKS LEGEND:		
1. PROVIDE BUILT-IN SINGLE PHASE TAMPERPROOF THERMOSTAT		
2. PROVIDE BUILT-IN DISCONNECT		

THRU THE WALL HEAT PUMP SCHEDULE

UNIT DESIGNATION	TWHP-1	TWHP-2	TWHP-3
LOCATION	OFFICE	OFFICE	OFFICE
EVAPORATOR	AIRFLOW	240	240
	MINIMUM TOTAL COOLING CAPACITY (MBH)	8.8	7.8
	MINIMUM HEATING CAPACITY (MBH)	8.0	7.2
ELECTRIC HEAT	HEATER KW	2	2
	VOLTAGE (V)	208	208
ELECTRICAL	PHASE	1	1
	FREQUENCY (Hz)	60	60
	MINIMUM EFFICIENCY (EER)	11.2	11.5
BASED ON	TRANE	TRANE	TRANE
INDOOR UNIT MODEL	PTH02901E	PTH02701E	PTH02901E
AMBIENT DESIGN TEMPERATURE (DEG F)	95	95	95
REMARKS	1, 2, 3	1, 2, 3	1, 2, 3
REMARKS LEGEND:			
1. PROVIDE NEW WALL SLEEVE TO FIT IN EXISTING MASONRY OPENING.			
2. PROVIDE STAMPED LOUVER AND EXTERIOR DRAIN KIT PIPED TO EXTERIOR.			
3. PROVIDE FACTORY MOUNTED THERMOSTAT.			

EXHAUST FAN SCHEDULE

UNIT NO.	EF-1	EF-2
USAGE	EXHAUST	EXHAUST
SERVES ROOM(S)	HEAD	HEAD
DESCRIPTION	CEILING CABINET	CEILING CABINET
FAN DATA	--	--
AIRFLOW (SCFM)	200	200
TOTAL SP (IN+H2O)	0.375	0.375
RPM	966	966
DRIVE TYPE	DIRECT	DIRECT
MOTOR DATA	--	--
HORSEPOWER	83 WATTS	83 WATTS
RPM	1201	1201
VOLTS	115	115
PHASE	1	1
HERTZ	60	60
SELECTION BASED ON	GREENHECK	GREENHECK
MODEL	SP-A250	SP-A250
NOTES	1, 2 & 5	1, 2 & 5
NOTES LEGEND:		
1. PROVIDE FAN WITH BACK-DRAFT DAMPER.		
2. PROVIDE FAN WITH SPEED CONTROL.		
3. PROVIDE THERMOSTAT CONTROL.		
4. PROVIDE WALL HOUSING		
5. PROVIDE ALUMINUM WHEEL, ALUMINUM GRILLE, AND TIME DELAY COMBINATION LIGHT SWITCH CONTROL.		



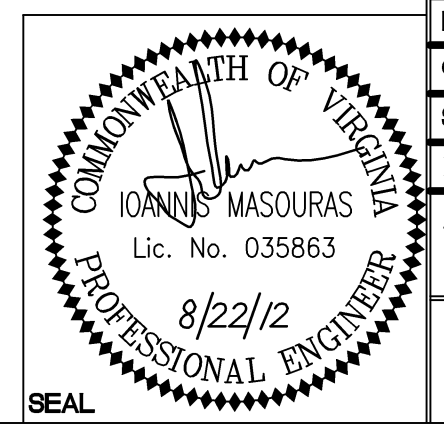
ROOF PENETRATION DETAIL
NOT TO SCALE

DISCLOSURE OF INFORMATION
Contractor shall comply as follows:

(a) The Contractor shall not release to anyone outside the Contractor's organization any unclassified information, regardless of medium (e.g., film, tape, document), pertaining to any part of this contract or any program related to this contract, unless -
The Contracting Officer has given prior written approval; or
The information is otherwise in the public domain before the date of release.

(b) Requests for approval shall identify the specific information to be released, the medium to be used, and the purpose for the release. The Contractor shall submit its request to the Contracting Officer at least 45 days before the proposed date for release.

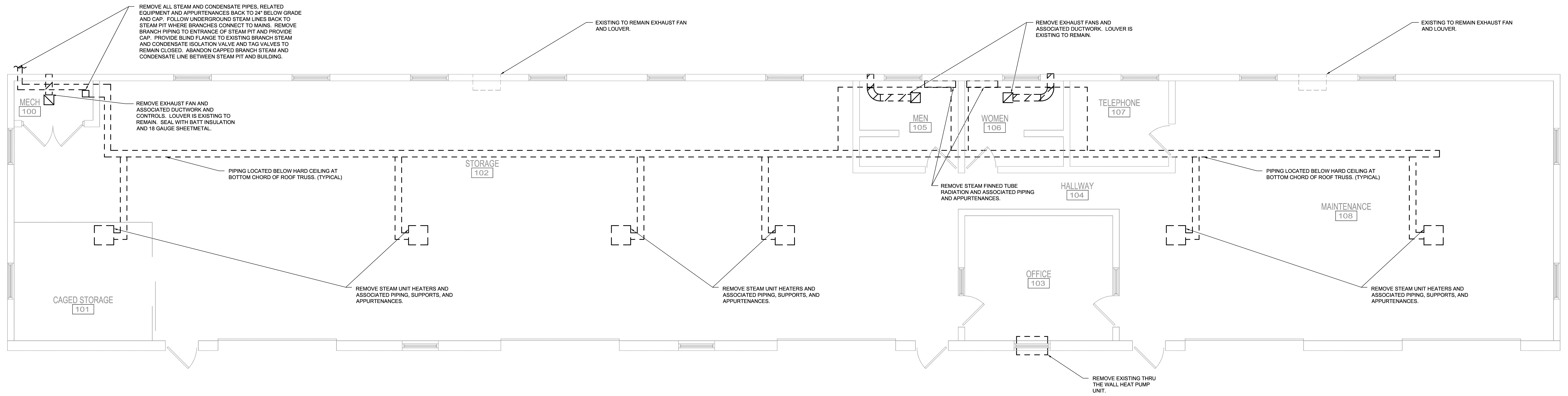
(c) The Contractor agrees to include a similar requirement in each subcontract under this contract. Subcontractors shall submit requests for authorization to release through the prime contractor to the Contracting Officer.



WileyWilson 6606 West Broad St., Suite 500 Richmond, Virginia 23230-1717 804.264.7242 wileywilson.com		M-115C PROJECT NO. CP12-0091	
DEPT OF NAVY NAVAL FACILITIES ENGINEERING COMMAND MARINE CORPS BASE CAMP LEJEUNE, NORTH CAROLINA		Hvac/Dhw Improvements, Various Facilities, HADNOT POINT BUILDING 1309 SCHEDULES, DETAILS & CONTROLS	
DES. IM	DR. SWL	CHK. JHE	DESIGN DR.
APPROVED PWO OR OIC	DATE	SIZE	CODE IDENT NO.
		E	80091
SATISFACTORY TO	DATE	CONSTR CONTR NO.	NAVFAAC DRAWING NO.
		N40085-12-B-0091	60011400
SCALE: AS SHOWN	SPEC No.	05-12-0091	SHEET 56 OF 84

SYM.	PREP'D BY	DATE	APPROVED

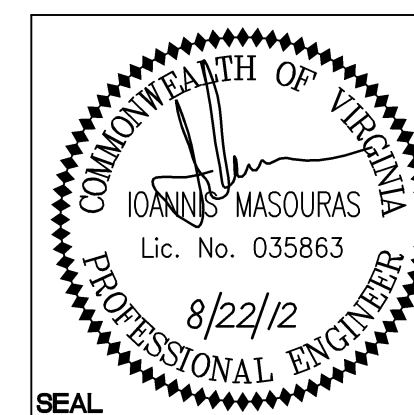
- DEMOLITION NOTES:
1. DUCT LOCATIONS APPROXIMATE, CONTRACTOR TO VERIFY AS NECESSARY.
 2. SEAL ALL BUILDING PENETRATIONS CREATED DURING DEMOLITION AND NOT RE-USED.
 3. REMOVE ALL EQUIPMENT, DUCTWORK, DIFFUSERS, GRILLES, HANGERS AND INSULATION AS SHOWN.



BUILDING 1310 MECHANICAL DEMOLITION PLAN
 1/4"=1'-0" 0" 2" 4" 8"

DISCLOSURE OF INFORMATION
 Contractor shall comply as follows:

- (a) The Contractor shall not release to anyone outside the Contractor's organization any unclassified information, regardless of medium (e.g., film, tape, document), pertaining to any part of this contract or any program related to this contract, unless:
 - (1) The Contracting Officer has given prior written approval; or
 - (2) The information is otherwise in the public domain before the date of release.
- (b) Requests for approval shall identify the specific information to be released, the medium to be used, and the purpose for the release. The Contractor shall submit its request to the Contracting Officer at least 45 days before the proposed date for release.
- (c) The Contractor agrees to include a similar requirement in each subcontract under this contract. Subcontractors shall submit requests for authorization to release through the prime contractor to the Contracting Officer.



WileyWilson 6606 West Broad St., Suite 500 Richmond, Virginia 23230-1717 804.264.7242 wileywilson.com		M-116A PROJECT NO. CP12-0091	
DEPT OF NAVY MARINE CORPS BASE CAMP LEJEUNE, NORTH CAROLINA		NAVAL FACILITIES ENGINEERING COMMAND	
DESIGN DR. APPROVED PWO OR OICC SATISFACTORY TO		DATE DATE DATE	
DES. IM DR. SWL CHK. JHE SUBMITTED BY:		SIZE E	
CODE IDENT NO. 80091		NAVFAC DRAWING NO. 60011401	
SCALE: AS SHOWN		SPEC No. 05-12-0091	
CONSTR CONTR NO. N40085-12-B-0091		SHEET 57 OF 84	

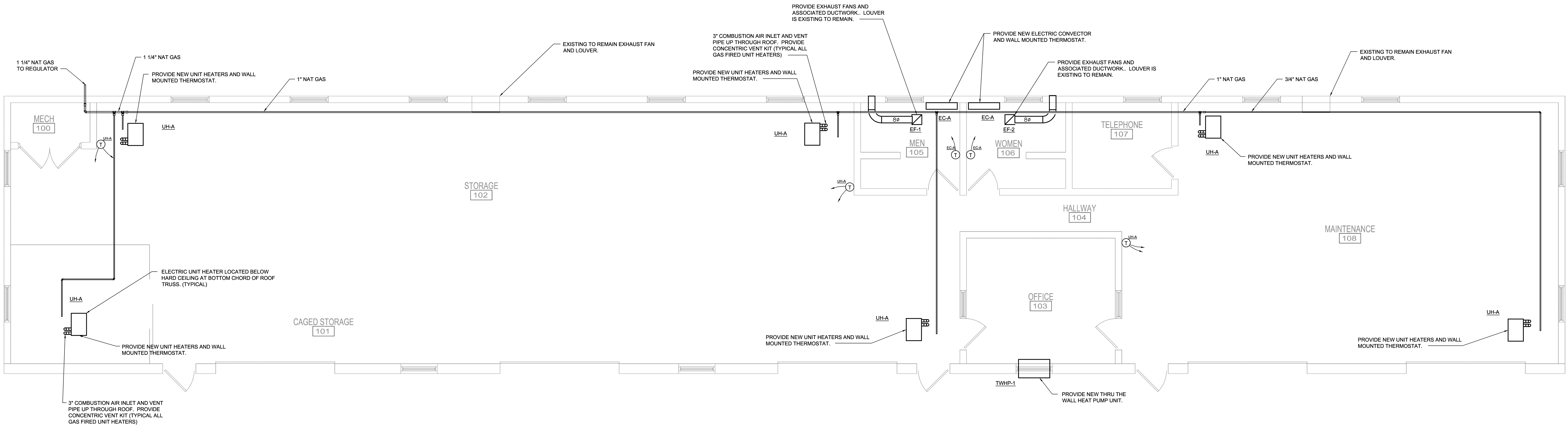
SYM.	PREP'D BY	DATE	APPROVED

GENERAL NOTES:

1. THE LOCATION OF ALL DUCT, PIPING AND EQUIPMENT SHALL BE ADJUSTED TO ACCOMMODATE ANTICIPATED OR ENCOUNTERED INTERFERENCES. THESE PLANS ARE PARTIALLY DIAGRAMMATIC AND MAY NOT SHOW MINOR DETAILS AND LOCATIONS.
2. MAINTAIN MANUFACTURER RECOMMENDED CLEARANCE AROUND ALL EQUIPMENT.
3. INSTALL GAS PIPE IN ACCORDANCE WITH 2012 NORTH CAROLINA FUEL GAS CODE.
4. INSULATE ENTIRE ATTIC SPACE WITH UNFACED R-30 BATT INSULATION.

NATURAL GAS NOTE:

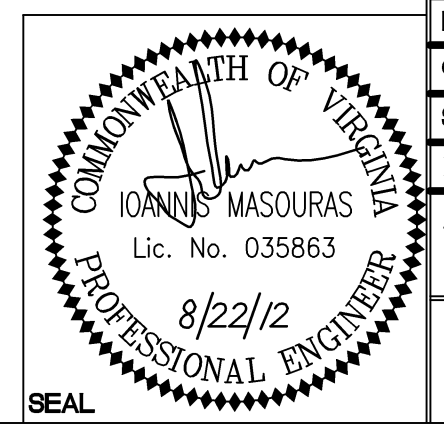
1. TOTAL CONNECTED NATURAL GAS DEMAND FOR THIS BUILDING IS 180 MBH AT 10 IN-H2O.



BUILDING 1310 MECHANICAL NEW WORK PLAN
 1/4"=1'-0" 0" 2" 4" 8"

DISCLOSURE OF INFORMATION

- Contractor shall comply as follows:
- (a) The Contractor shall not release to anyone outside the Contractor's organization any unclassified information, regardless of medium (e.g., film, tape, document), pertaining to any part of this contract or any program related to this contract, unless:
 - (1) The Contracting Officer has given prior written approval; or
 - (2) The information is otherwise in the public domain before the date of release.
 - (b) Requests for approval shall identify the specific information to be released, the medium to be used, and the purpose for the release. The Contractor shall submit its request to the Contracting Officer at least 45 days before the proposed date for release.
 - (c) The Contractor agrees to include a similar requirement in each subcontract under this contract. Subcontractors shall submit requests for authorization to release through the prime contractor to the Contracting Officer.



WileyWilson 6606 West Broad St., Suite 500 Richmond, Virginia 23230-1717 804.264.7242 wileywilson.com		M-116B PROJECT NO. CP12-0091	
DEPT OF NAVY MARINE CORPS BASE CAMP LEJEUNE, NORTH CAROLINA		NAVAL FACILITIES ENGINEERING COMMAND	
DES. IM	DR. SWL	HVAC/DHW IMPROVEMENTS, VARIOUS FACILITIES, HADNOT POINT BUILDING 1310 MECHANICAL NEW WORK PLAN	
CHK. JHE	SUBMITTED BY:	APPROVED PWO OR OICC	DATE
DESIGN DR.	APPROVED PWO OR OICC	DATE	DATE
SATISFACTORY TO	DATE	SIZE	CODE IDENT NO.
		E	80091
		CONSTR CONTR NO.	NAVAFAC DRAWING NO.
		N40085-12-B-0091	60011402
		SPEC No.	05-12-0091
		SCALE: AS SHOWN	SHEET 58 OF 84

SYM.	PREP'D BY	DATE	APPROVED

GAS FIRED UNIT HEATER SCHEDULE

DESIGNATION	UH-A
LOCATION	VARIOUS
FUEL	NATURAL GAS
AIRFLOW (CFM)	505
THROW	HORIZONTAL
INPUT (MBH)	30
MINIMUM INLET GAS PRESSURE (IN. WC.)	6
MAXIMUM INLET GAS PRESSURE (IN. WC.)	7
CAPACITY (MBH)	24
ENTERING AIR TEMPERATURE (DEG F)	60
LEAVING AIR TEMPERATURE (DEG F)	103
UNIT VOLTAGE	120
PHASE	1
FREQUENCY (HZ)	60
BASED ON	MODINE
MODEL	HDS 30
REMARKS	60
REMARKS LEGEND:	
1. PROVIDE INTEGRAL DISCONNECT.	

ELECTRIC CONVECTOR SCHEDULE

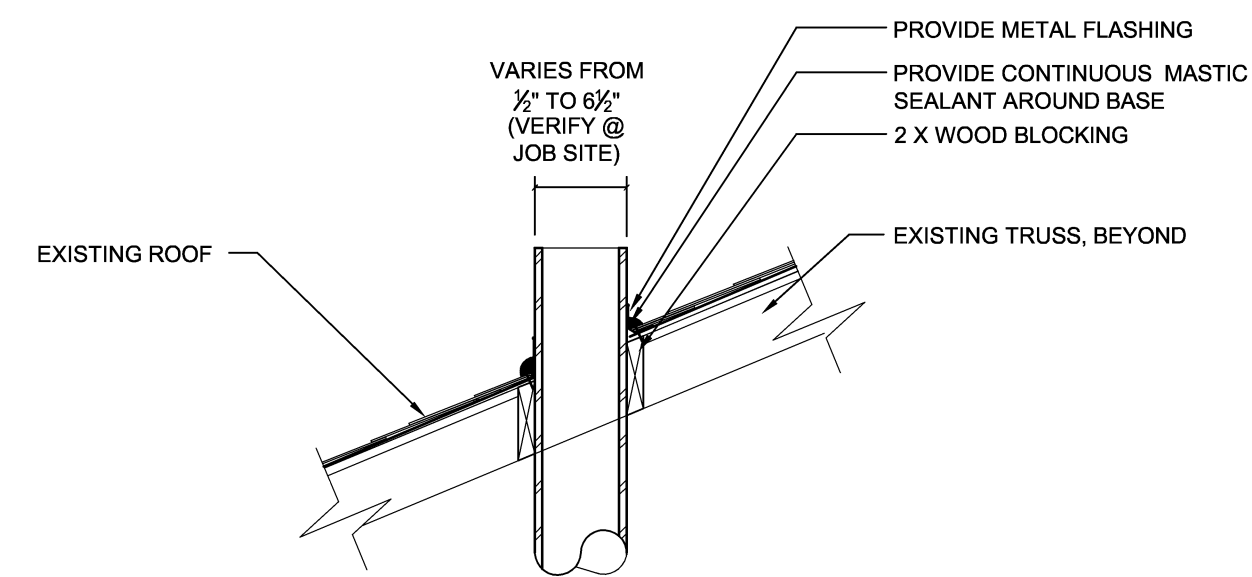
DESIGNATION	EC-A
LOCATION	BATHROOMS
CABINET STYLE	CABINET
ELECTRIC COIL	MINIMUM CAPACITY (KW) 1.1 ENTERING AIR TEMPERATURE (DEG F) 68 UNIT TOTAL CURRENT (A) 3.6
ELECTRIC DATA	UNIT VOLTAGE (V) 208 PHASE 1 FREQUENCY (HZ) 60
BASED ON	CHROMALOX
MODEL	CAF-12F211
REMARKS	1 & 2
REMARKS LEGEND:	
1. PROVIDE BUILT-IN SINGLE PHASE TAMPERPROOF THERMOSTAT	
2. PROVIDE BUILT-IN DISCONNECT	

THRU THE WALL HEAT PUMP SCHEDULE

UNIT DESIGNATION	TWHP-1
LOCATION	OFFICE
EVAPORATOR	AIRFLOW 240 MINIMUM TOTAL COOLING CAPACITY (MBH) 8.8 MINIMUM HEATING CAPACITY (MBH) 8.0
ELECTRIC HEAT	HEATER KW 2 VOLTAGE (V) 208
ELECTRICAL	PHASE 1 FREQUENCY (HZ) 60
MINIMUM EFFICIENCY (EER)	11.2
BASED ON	TRANE
INDOOR UNIT MODEL	PTH0901E
AMBIENT DESIGN TEMPERATURE (DEG F)	95
REMARKS	1, 2, 3
REMARKS LEGEND:	
1. PROVIDE NEW WALL SLEEVE TO FIT IN EXISTING MASONRY OPENING.	
2. PROVIDE STAMPED LOUVER AND EXTERIOR DRAIN KIT PIPED TO EXTERIOR.	
3. PROVIDE FACTORY MOUNTED THERMOSTAT.	

EXHAUST FAN SCHEDULE

UNIT NO.	EF-1	EF-2
USAGE	EXHAUST	EXHAUST
SERVES ROOM(S)	HEAD	HEAD
DESCRIPTION	CEILING CABINET	CEILING CABINET
FAN DATA	--	--
AIRFLOW (SCFM)	200	200
TOTAL SP (IN-H2O)	0.375	0.375
RPM	966	966
DRIVE TYPE	DIRECT	DIRECT
MOTOR DATA	--	--
HORSEPOWER	83 WATTS	83 WATTS
RPM	1201	1201
VOLTS	115	115
PHASE	1	1
HERTZ	60	60
SELECTION BASED ON	GREENHECK	GREENHECK
MODEL	SP-A250	SP-A250
NOTES	1, 2 & 5	1, 2 & 5
NOTES LEGEND:		
1. PROVIDE FAN WITH BACK-DRAFT DAMPER.		
2. PROVIDE FAN WITH SPEED CONTROL.		
3. PROVIDE THERMOSTAT CONTROL.		
4. PROVIDE WALL HOUSING		
5. PROVIDE ALUMINUM WHEEL, ALUMINUM GRILLE, AND TIME DELAY COMBINATION LIGHT SWITCH CONTROL.		



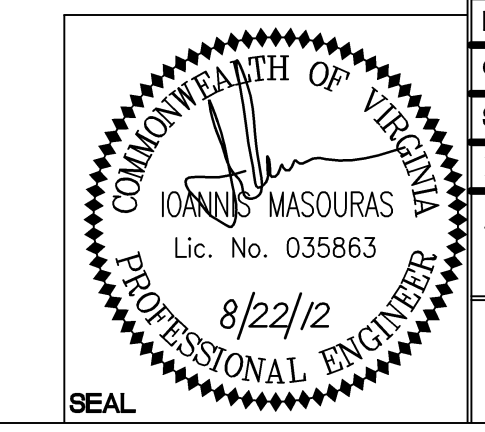
ROOF PENETRATION DETAIL
NOT TO SCALE

DISCLOSURE OF INFORMATION
Contractor shall comply as follows:

(a) The Contractor shall not release to anyone outside the Contractor's organization any unclassified information, regardless of medium (e.g., film, tape, document), pertaining to any part of this contract or any program related to this contract, unless-
The Contracting Officer has given prior written approval; or
The information is otherwise in the public domain before the date of release.

(b) Requests for approval shall identify the specific information to be released, the medium to be used, and the purpose for the release. The Contractor shall submit its request to the Contracting Officer at least 45 days before the proposed date for release.

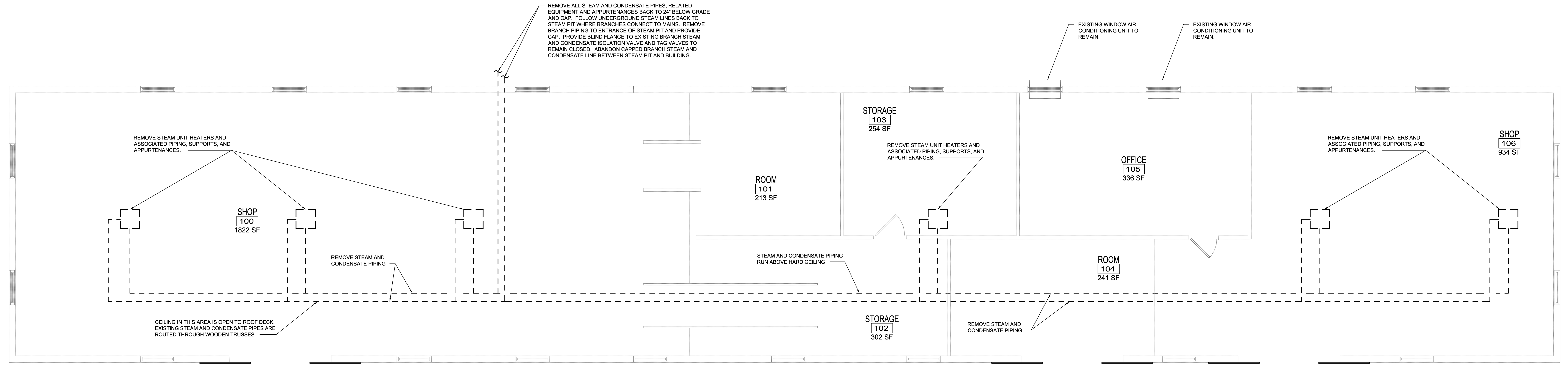
(c) The Contractor agrees to include a similar requirement in each subcontract under this contract. Subcontractors shall submit requests for authorization to release through the prime contractor to the Contracting Officer.



WileyWilson 6606 West Broad St., Suite 500 Richmond, Virginia 23230-1717 804.264.7242 wileywilson.com		M-116C PROJECT NO. CP12-0091	
DEPT OF NAVY MARINE CORPS BASE CAMP LEJEUNE, NORTH CAROLINA		NAVAL FACILITIES ENGINEERING COMMAND	
DES. IM	DR. SWL	HVAC/DHW IMPROVEMENTS, VARIOUS FACILITIES, HADNOT POINT BUILDING 1310 SCHEDULES, DETAILS & CONTROLS	
CHK. JHE	SUBMITTED BY:	APPROVED PWO OR OICC	DATE
DESIGN DR.	DESIGN DR.	SIZE	CODE IDENT NO.
		E	80091
SATISFACTORY TO	DATE	CONSTR CONTR NO.	NAVAFAC DRAWING NO.
		N40085-12-B-0091	60011403
SCALE: AS SHOWN	SPEC No.	05-12-0091	SHEET 50 OF 84

SYM.	PREP'D BY	DATE	APPROVED

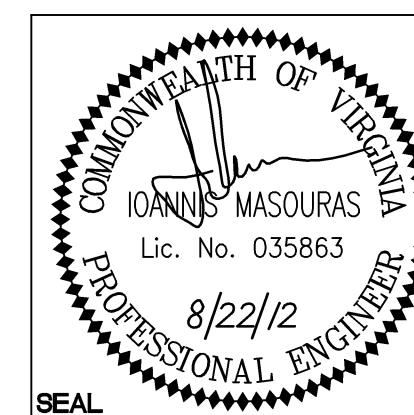
- DEMOLITION NOTES:
1. DUCT LOCATIONS APPROXIMATE, CONTRACTOR TO VERIFY AS NECESSARY.
 2. SEAL ALL BUILDING PENETRATIONS CREATED DURING DEMOLITION AND NOT RE-USED.
 3. REMOVE ALL EQUIPMENT, DUCTWORK, DIFFUSERS, GRILLES, HANGERS AND INSULATION AS SHOWN.



BUILDING 1409 MECHANICAL DEMOLITION PLAN
 1/4"=1'-0" 0' 2' 4' 8'

DISCLOSURE OF INFORMATION
 Contractor shall comply as follows:

- (a) The Contractor shall not release to anyone outside the Contractor's organization any unclassified information, regardless of medium (e.g., film, tape, document), pertaining to any part of this contract or any program related to this contract, unless-
 The Contracting Officer has given prior written approval; or
 The information is otherwise in the public domain before the date of release.
- (b) Requests for approval shall identify the specific information to be released, the medium to be used, and the purpose for the release. The Contractor shall submit its request to the Contracting Officer at least 45 days before the proposed date for release.
- (c) The Contractor agrees to include a similar requirement in each subcontract under this contract. Subcontractors shall submit requests for authorization to release through the prime contractor to the Contracting Officer.



WileyWilson 6606 West Broad St., Suite 500 Richmond, Virginia 23230-1717 804.264.7242 wileywilson.com		M-117A PROJECT NO. CP12-0091	
DEPT OF NAVY MARINE CORPS BASE CAMP LEJEUNE, NORTH CAROLINA		NAVAL FACILITIES ENGINEERING COMMAND	
DES. IM	DR. SWL	HVAC/DHW IMPROVEMENTS, VARIOUS FACILITIES, HADNOT POINT BUILDING 1409 MECHANICAL DEMOLITION PLAN	
CHK. JHE	SUBMITTED BY:	APPROVED PWO OR OICC	DATE
DESIGN DR.	APPROVED PWO OR OICC	DATE	DATE
SATISFACTORY TO		DATE	DATE
SIZE E	CODE IDENT NO. 80091	NAVFAC DRAWING NO. 60011404	CONSTR CONTR NO. N40085-12-B-0091
SCALE: AS SHOWN	SPEC No. 05-12-0091	SHEET 60 OF 84	