

AMENDMENT OF SOLICITATION/MODIFICATION OF CONTRACT			1. CONTRACT ID CODE	PAGE 1 OF 4 PAGES
2. AMENDMENT/MODIFICATION NO. AMENDMENT NO. 0006	3. EFFECTIVE DATE 7/26/11	4. REQUISITION/PURCHASE REQ. NO.	5. PROJECT NO. (If applicable) 07-0008	
6. ISSUED BY CODE	jsy	7. ADMINISTERED BY (If other than Item 6) CODE See Item 6		
Officer in Charge of Construction MCI-East 1005 Michael Road Camp Lejeune, NC 28547-2521				
8. NAME AND ADDRESS OF CONTRACTOR (No., street, county, State and ZIP Code)		(X)	9A. AMENDMENT OF SOLICITATION NO. N40085-07-R-0008	
		X	9B. DATED (SEE ITEM 11) 7/11/11	
			10A. MODIFICATION OF CONTRACT/ORDER NO.	
			10B. DATED (SEE ITEM 11)	
CODE	FACILITY CODE			

11. THIS ITEM ONLY APPLIES TO AMENDMENTS OF SOLICITATIONS

The above numbered solicitation is amended as set forth in Item 14. The hour and date specified for receipt of Offers is extended, is not extended.
Offers must acknowledge receipt of this amendment prior to the hour and date specified in the solicitation or as amended, by one of the following methods:
(a) By completing items 8 and 15, and returning _____ copies of the amendment; (b) By acknowledging receipt of this amendment on each copy of the offer submitted; or (c) By separate letter or telegram which includes a reference to the solicitation and amendment numbers. FAILURE OF YOUR ACKNOWLEDGMENT TO BE RECEIVED AT THE PLACE DESIGNATED FOR THE RECEIPT OF OFFERS PRIOR TO THE HOUR AND DATE SPECIFIED MAY RESULT IN REJECTION OF YOUR OFFER. If by virtue of this amendment your desire to change an offer already submitted, such change may be made by telegram or letter, provided each telegram or letter makes reference to the solicitation and this amendment, and is received prior to the opening hour and date specified.

12. ACCOUNTING AND APPROPRIATION DATA (If required)

**13. THIS ITEM ONLY APPLIES TO MODIFICATION OF CONTRACTS/ORDERS.
IT MODIFIES THE CONTRACT/ORDER NO. AS DESCRIBED IN ITEM 14.**

CHECK ONE	A. THIS CHANGE ORDER IS ISSUED PURSUANT TO: (Specify authority) THE CHANGES SET FORTH IN ITEM 14 ARE MADE IN THE CONTRACT ORDER NO. IN ITEM 10A.
	B. THE ABOVE NUMBERED CONTRACT/ORDER IS MODIFIED TO REFLECT THE ADMINISTRATIVE CHANGES (such as changes in paying office, appropriation date, etc.) SET FORTH IN ITEM 14, PURSUANT TO THE AUTHORITY OF FAR 43.103(b).
	C. THIS SUPPLEMENTAL AGREEMENT IS ENTERED INTO PURSUANT TO AUTHORITY OF:
	D. OTHER (Specify type of modification and authority)

E. IMPORTANT: Contractor is not, is required to sign this document and return _____ copies to the issuing office.

14. DESCRIPTION OF AMENDMENT/MODIFICATION (Organized by UCF section headings, including solicitation/contract subject matter where feasible.)

Project 07-0008, Replace Chiller, Bldgs 59 & 60, Camp Lejeune, NC

SEE CONTINUATION SHEETS

Except as provided herein, all terms and conditions of the document referenced in Item 9A or 10A, as heretofore changed, remains unchanged and in full force and effect.

15A. NAME AND TITLE OF SIGNER (Type or print)		16A. NAME AND TITLE OF CONTRACTING OFFICER (Type or print)	
15B. CONTRACTOR/OFFEROR		16B. UNITED STATES OF AMERICA	
15C. DATE SIGNED		16C. DATE SIGNED	
(Signature of person authorized to sign)		(Signature of Contracting Officer)	

CONTINUATION SHEET

- 1. Question:** Referencing sheet M-1, we are told to provide a concrete "MAN HOLE" with steam operated sump pump, and full grated top. Reading further, the "D" notation indicated in the revisions notes that this is not a man hole, but a "STEAM PIT." Please provide a detail of the steam pit indicating wall thicknesses, depth, size, construction, pump specifications, etc.
- 1. Answer:** Manhole drawing is attached and hereby incorporated into the RFP (Request for Proposals) dated 7/11/11.

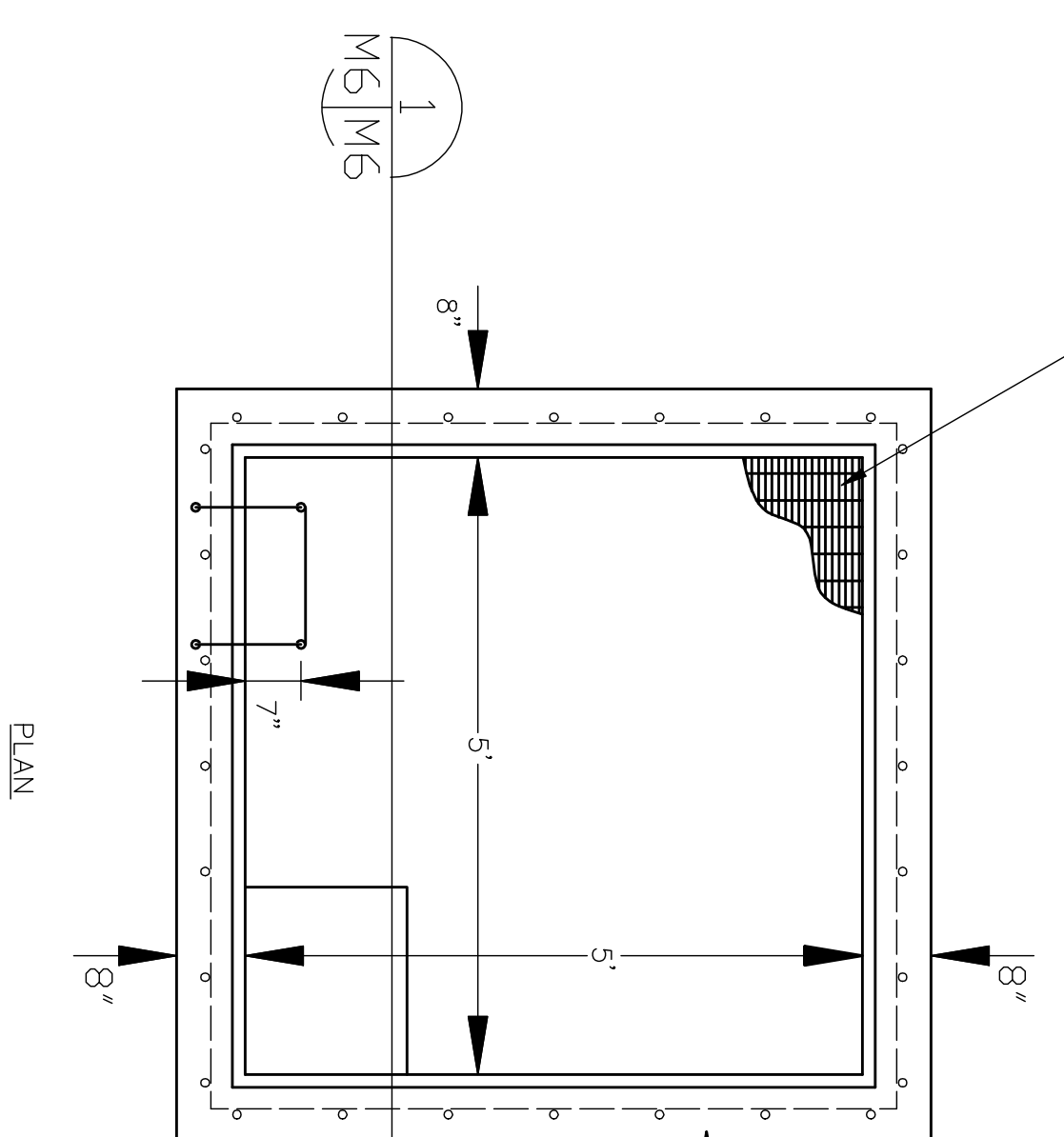
- 2. Question:** Amendment No. 0003 tells us to use a "prefinished aluminum gate" for the chiller enclosure. Due to the expense of aluminum, will a galvanized gate be accepted?
- 2. Answer:** Contractor shall use painted steel in lieu of prefinished aluminum. Steel Gate drawing is attached and hereby incorporated into the RFP (Request for Proposals) dated 7/11/11.

- 3.** The time for receipt of proposals is changed to not later than 1500, Wednesday, 27 July 2011.

REV	SYN	DATE	APPROVED

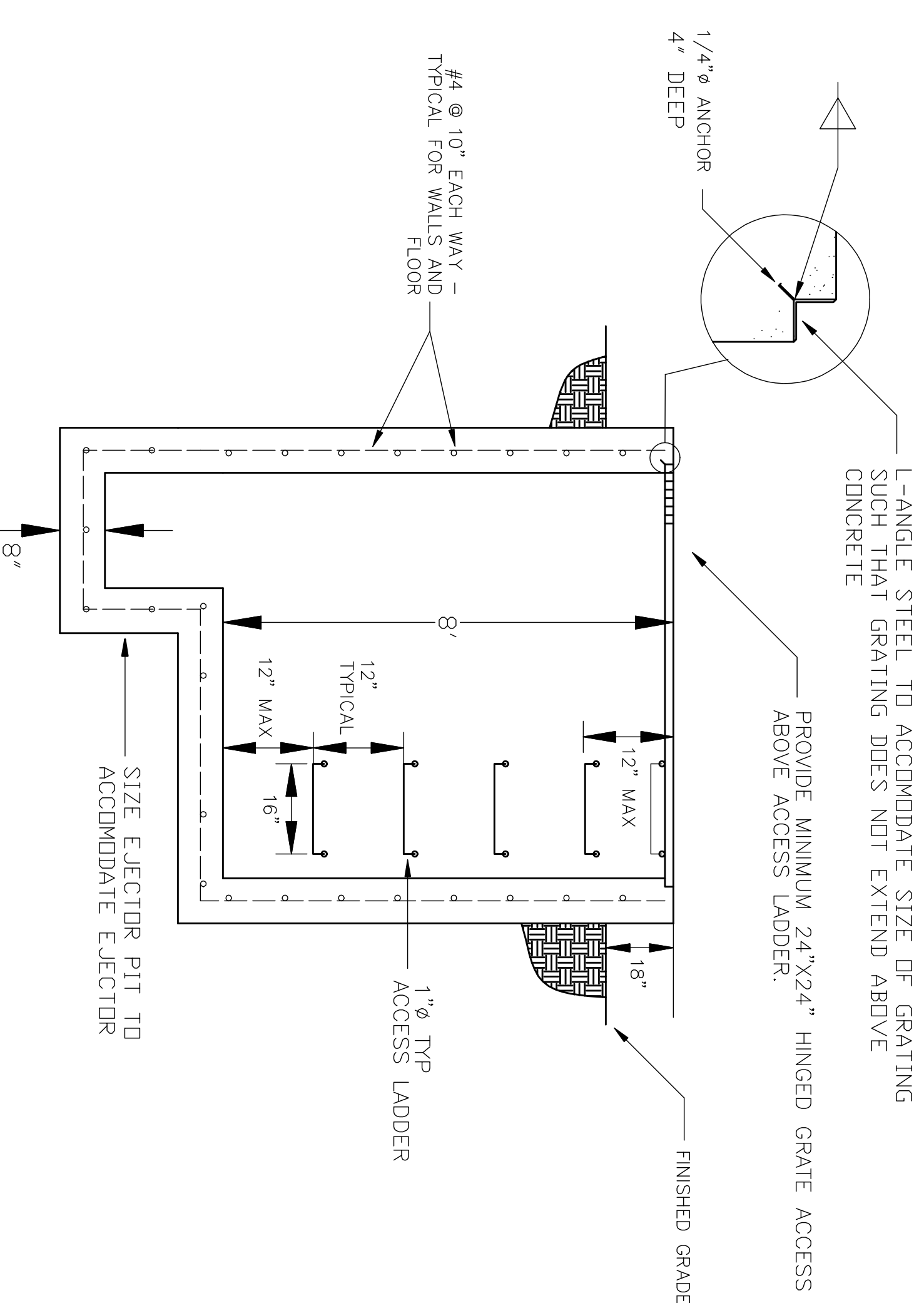
REVISITONS

PROVIDE GRATING TO COVER ENTIRE OPENING
GRATING LIVE LOAD 125 PSF/CONCENTRATED
LOAD 2000 LBS.



WALLS SHALL BE CONSTRUCTED
OF 3000 PSI CONCRETE AND
REBAR

TYPICAL MANHOLE CONSTRUCTION DETAIL
NDT-TD-SCALE



L-ANGLE STEEL TO ACCOMMODATE SIZE OF GRATING
SUCH THAT GRATING DOES NOT EXTEND ABOVE
CONCRETE

PROVIDE MINIMUM 24"x24" HINGED GRATE ACCESS
ABOVE ACCESS LADDER.

FINISHED GRADE

1 1/4" TYP
ACCESS LADDER

SIZE EJECTOR PIT TO
ACCOMMODATE EJECTOR

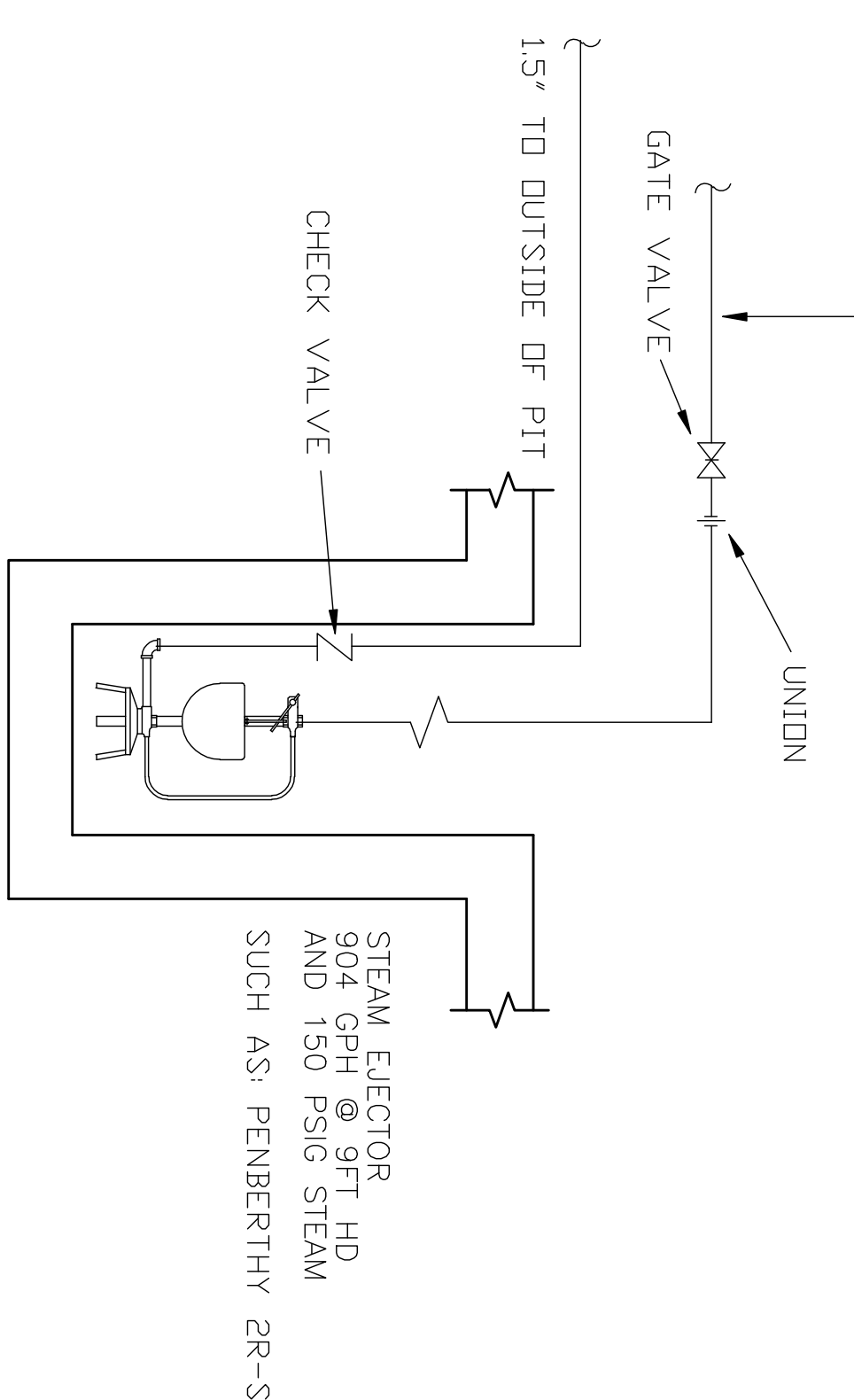
12" TYPICAL

12" MAX

16"

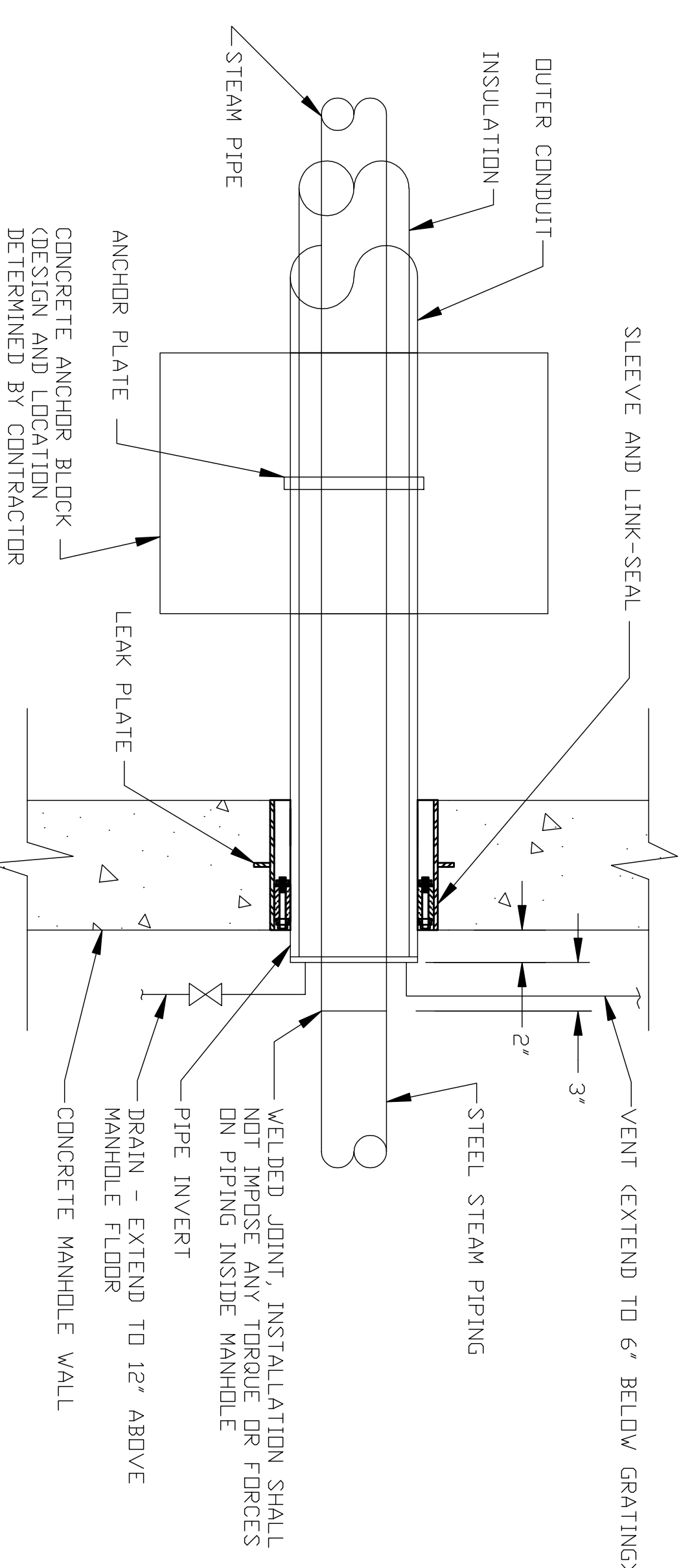
MANHOLE SECTION
M6/M6

1" HPS, LOCATE VALVE NEAR TOP OF LADDER
INSULATE HPS PIPE WITH 2" CALCIUM
SILICATE AND ALUMINUM JACKET



STEAM EJECTOR
304 GPH @ 8 FT HD
AND 150 PSIG STEAM
SUCH AS: PENBERTHY 2R-S

TYPICAL EJECTOR DETAIL
NDT-TD-SCALE



SLEEVE AND LINK-SEAL

OUTER CONDUIT

INSULATION

STEAM PIPE

ANCHOR PLATE

CONCRETE ANCHOR BLOCK
POSITION AND LOCATION
DETERMINED BY CONTRACTOR

LEAK PLATE

VENT EXTEND TO 6" BELOW GRATING

STEEL STEAM PIPING

WELDED JOINT, INSTALLATION SHALL
NOT IMPOSE ANY TORQUE OR FORCES
ON PIPING INSIDE MANHOLE

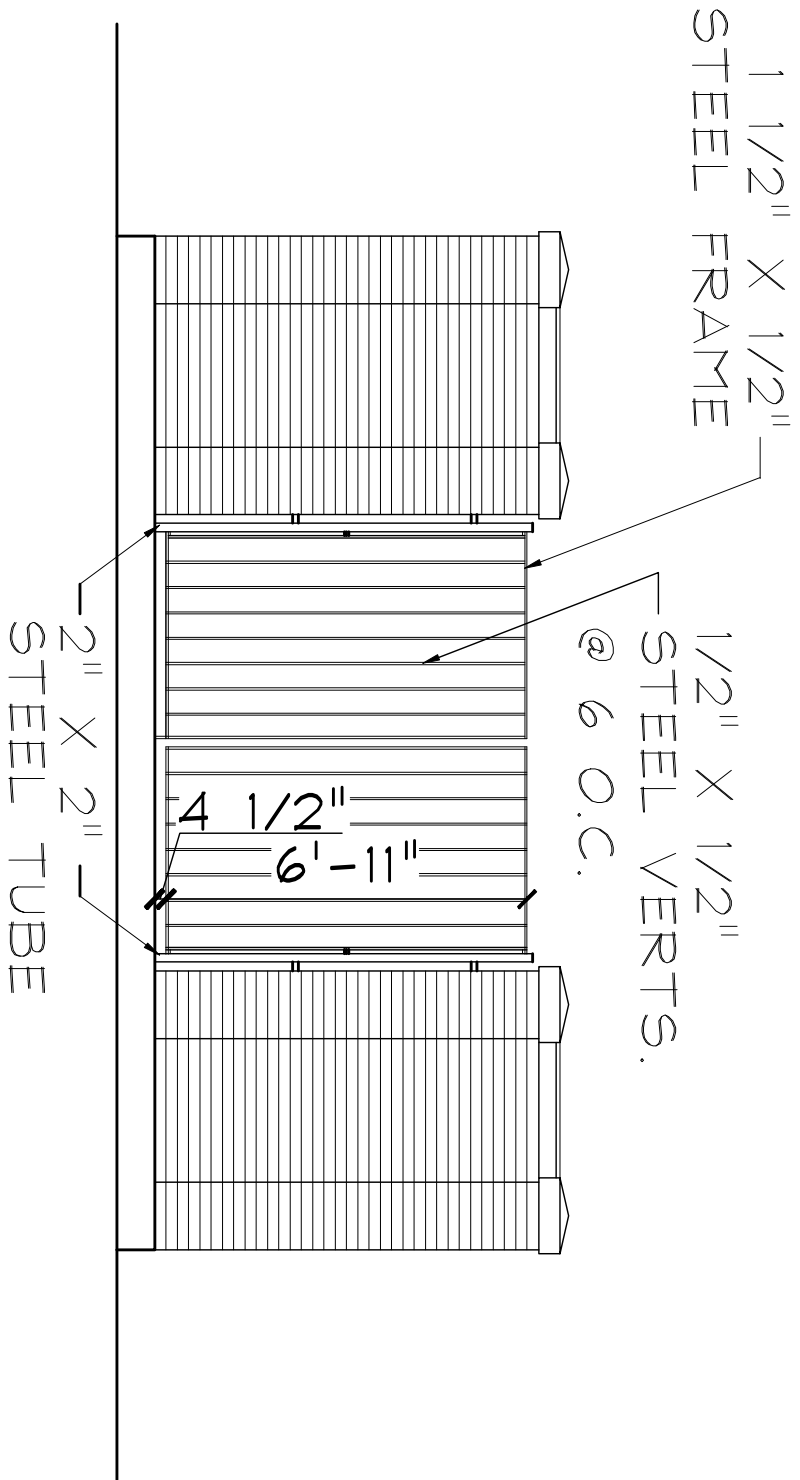
PIPE INVERT

DRAIN - EXTEND TO 12" ABOVE
MANHOLE FLOOR

CONCRETE MANHOLE WALL

STEAM PIPE MANHOLE ENTRY DETAIL
NDT-TD-SCALE

<p>NAVY ENGINEERING COMMAND</p> <p>MARINE CORPS BASE</p> <p>CAMP LEFLORE, NORTH CAROLINA</p> <p>REPLACE CHILLER BUILDINGS 59 & 60</p> <p>STEAM MANHOLE</p> <p>NAVFAC DRAWING NO. 12504714A</p> <p>CONSTR. CENTER N40085-07-B-0008</p>		<p>M6</p>
<p>DES. M. B. BEUNING</p> <p>CHK. M. B. BEUNING</p> <p>CHK. R. K. WERNER</p> <p>SUBMITTED BY: M. B. BEUNING</p> <p>DESIGN DIR: B. R. MARSHBURN, P.E.</p> <p>APPROVED: PWO OR OICC 7/26/11</p> <p>DATE F 80091</p> <p>SCALE: NOTES</p> <p>SHEET 05-07-0008</p>	<p>DATE</p> <p>SHEET 0'</p>	



PAINTED STEEL GATE
BASIS OF DESIGN IS EXISTING GATE AT
CHILLER ENCLOSURE AT BLDG. 1140